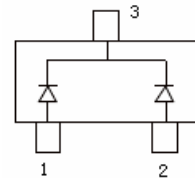
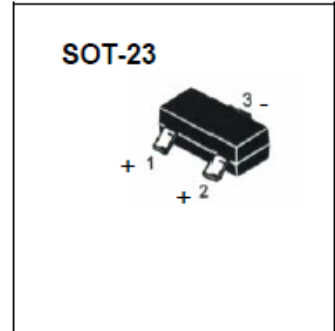


## SWITCHING DIODE

### FEATURES

- Fast Switching Speed
- Surface Mount Package Ideally Suited for Automatic Insertion
- For General Purpose Switching Applications
- High Conductance



Marking: JA

### Maximum Ratings @ $T_A=25^{\circ}\text{C}$

Parameter	Symbol	Value	Unit
Non-Repetitive Peak reverse voltage	$V_{RM}$	50	V
DC Blocking Voltage	$V_R$		
Average Rectified Output Current	$I_O$	200	mA
Power Dissipation	$P_D$	225	mW
Thermal Resistance. Junction to Ambient Air	$R_{\theta JA}$	556	$^{\circ}\text{C}/\text{W}$
Junction temperature	$T_J$	150	$^{\circ}\text{C}$
Storage temperature range	$T_{STG}$	-55-150	$^{\circ}\text{C}$

### ELECTRICAL CHARACTERISTICS ( $T_{amb}=25^{\circ}\text{C}$ unless otherwise specified)

Parameter	Symbol	Test conditions	MIN	MAX	UNIT
Reverse breakdown voltage	$V_{(BR)R}$	$I_R=5\mu\text{A}$	50		V
Reverse voltage leakage current	$I_R$	$V_R=50\text{V}$		0.1	$\mu\text{A}$
Forward voltage	$V_F$	$I_F=100\text{mA}$		1	V
Diode Capacitance	$C_D$	$V_R=0, f=1\text{MHz}$		2	pF
Reveres recovery time	$t_{rr}$	$I_F=I_R=10\text{mA}, R_L=100\Omega,$ $I_{rr}=0.1 \times I_R$		4	nS

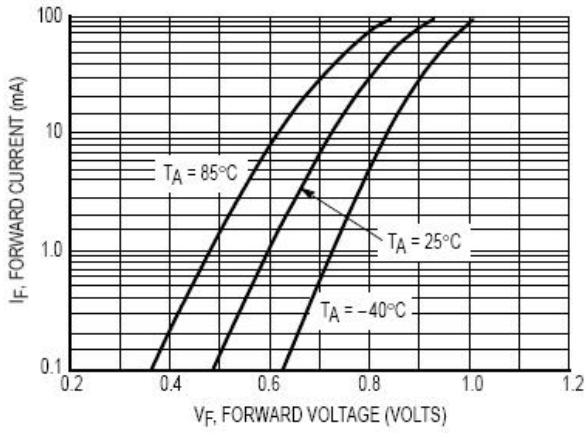


Figure 1. Forward Voltage

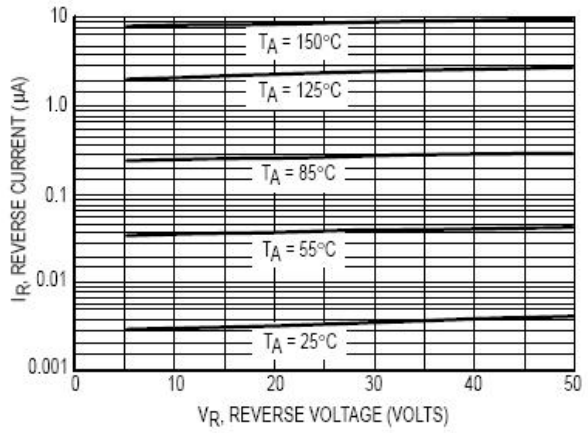


Figure 2. Leakage Current

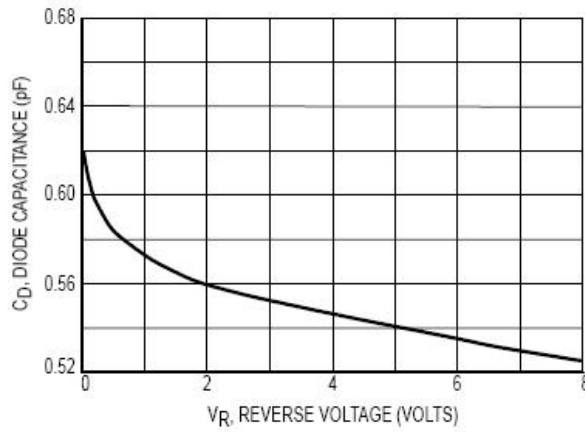
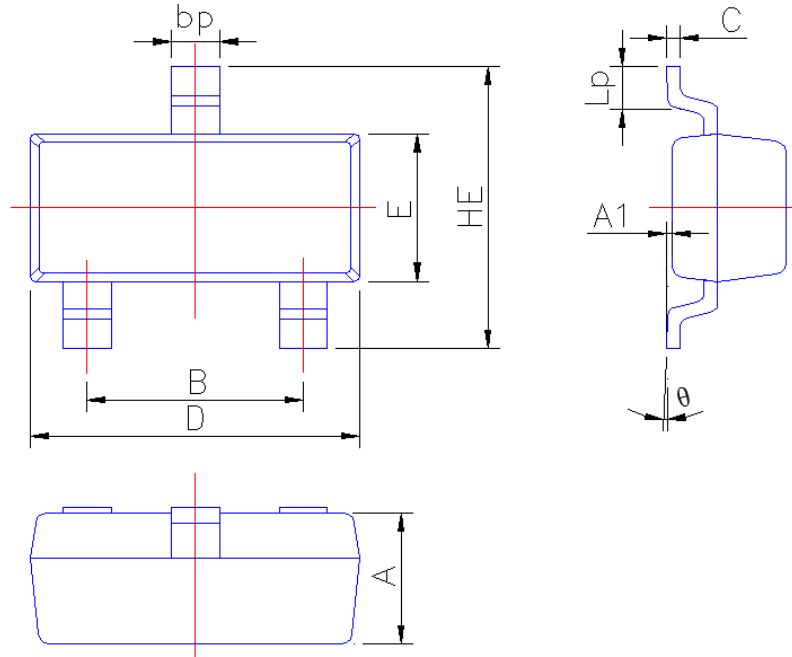


Figure 3. Capacitance

## PACKAGE OUTLINE

Plastic surface mounted package; 3 leads

SOT-23



Symbol	Dimension in Millimeters	
	Min	Max
A	0.90	1.10
A1	0.013	0.100
B	1.80	2.00
bp	0.35	0.50
C	0.09	0.150
D	2.80	3.00
E	1.20	1.40
HE	2.20	2.80
Lp	0.20	0.50
θ	0°	5°